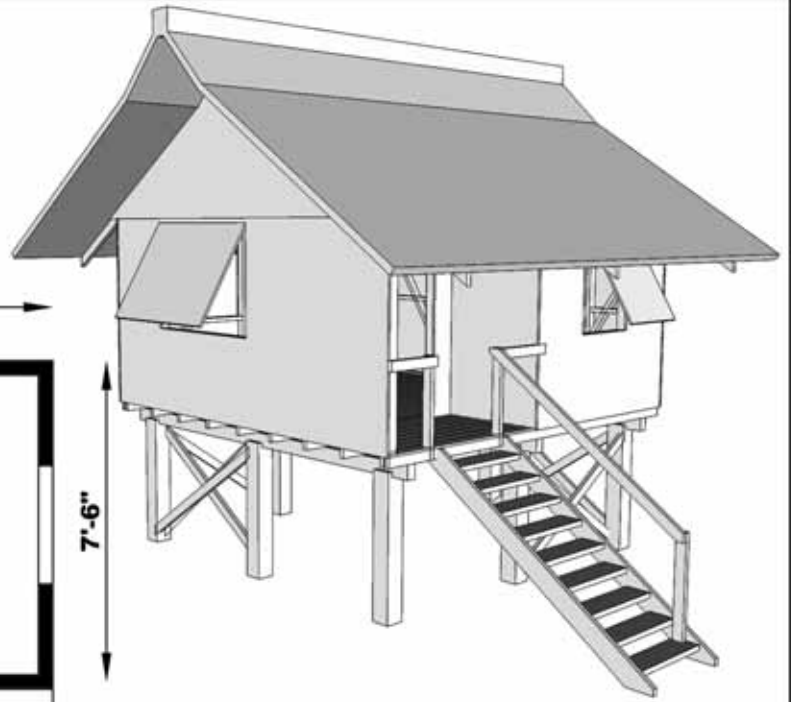
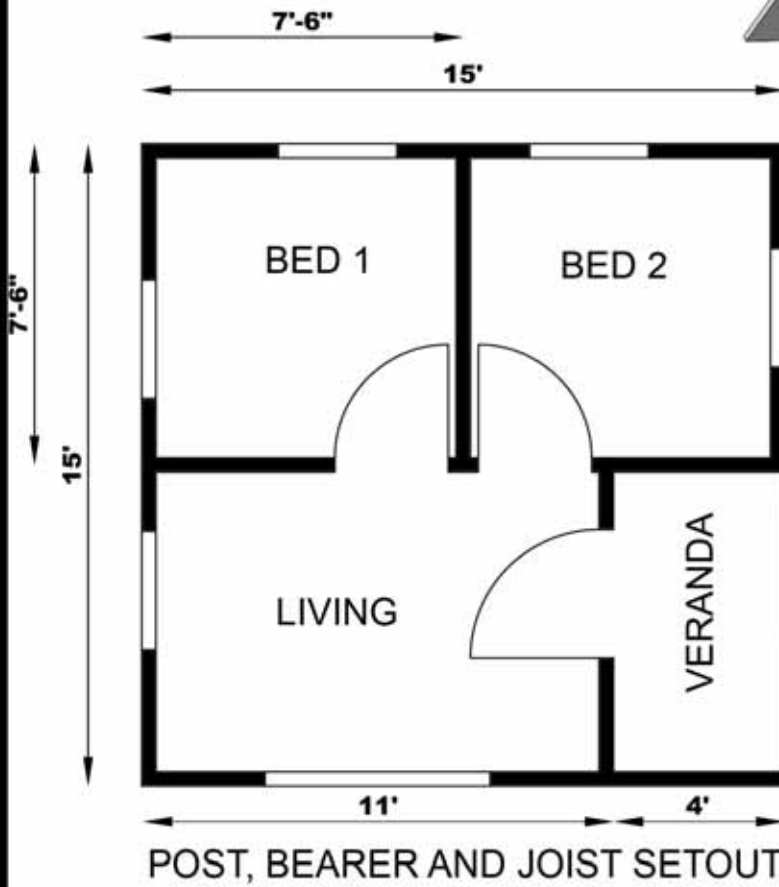
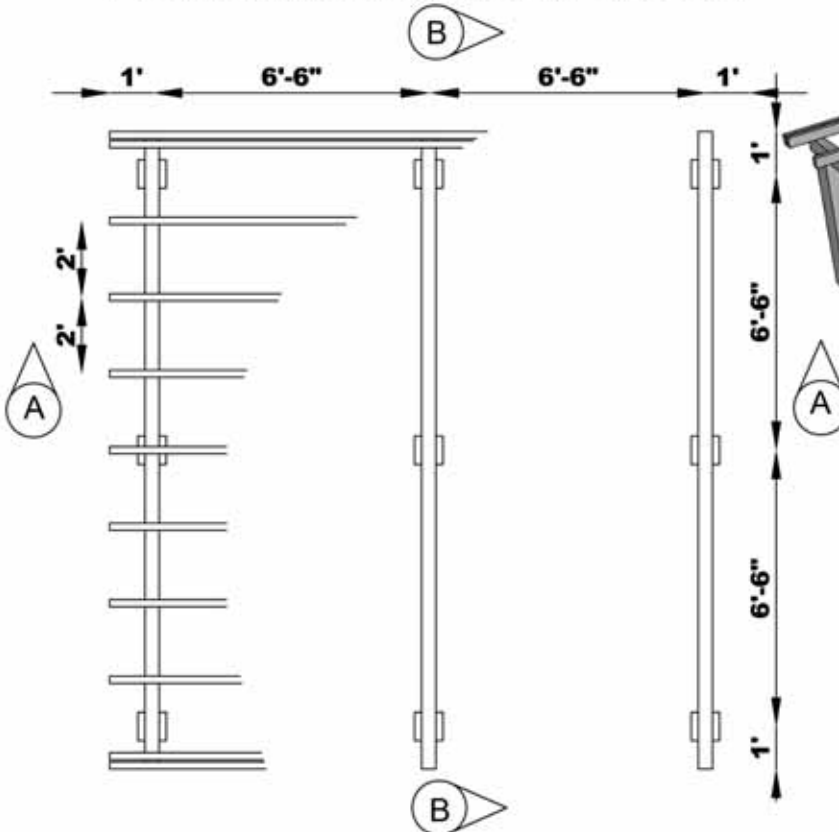


15' x 15' STANDARD SHELTER FOR THE SOLOMON ISLANDS

FLOOR PLAN



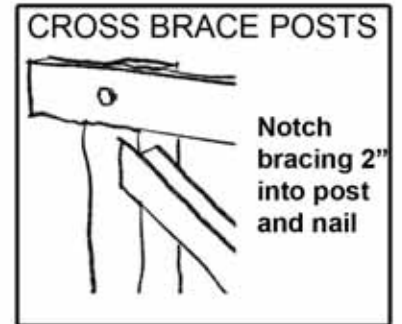
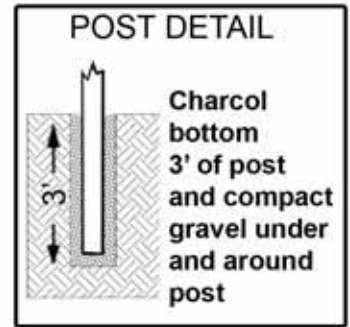
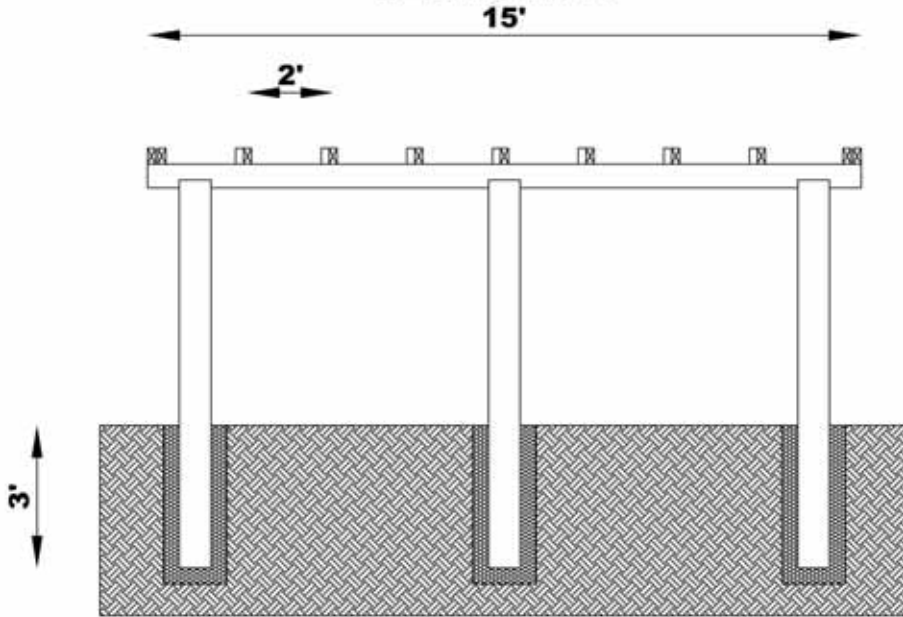
SHELTER SUBFLOOR STRUCTURE



15' x 15' STANDARD SHELTER FOR THE SOLOMON ISLANDS

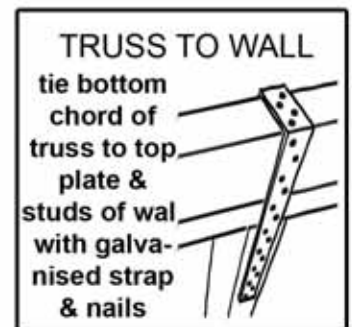
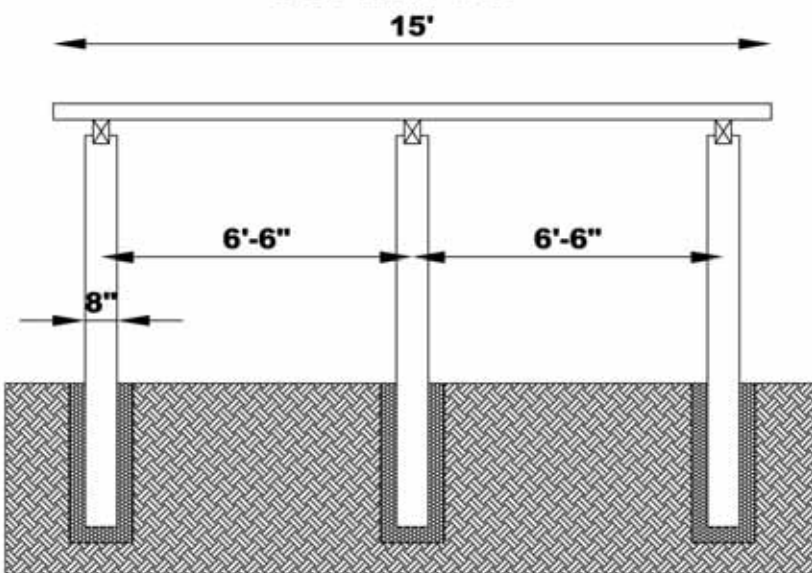
SHELTER SUBFLOOR STRUCTURE

SECTION A-A



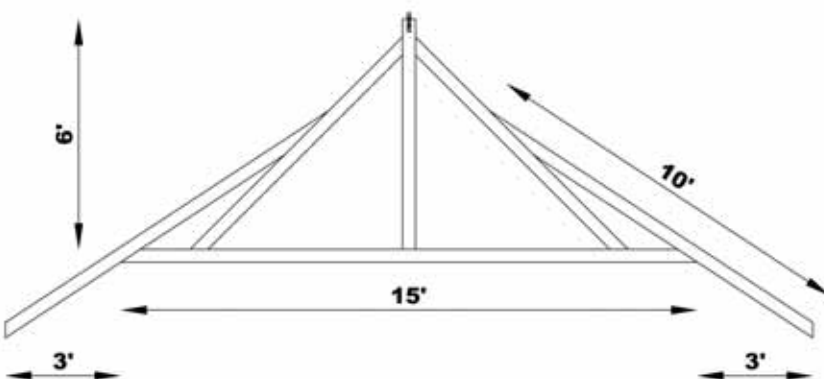
SHELTER SUBFLOOR STRUCTURE

SECTION B-B



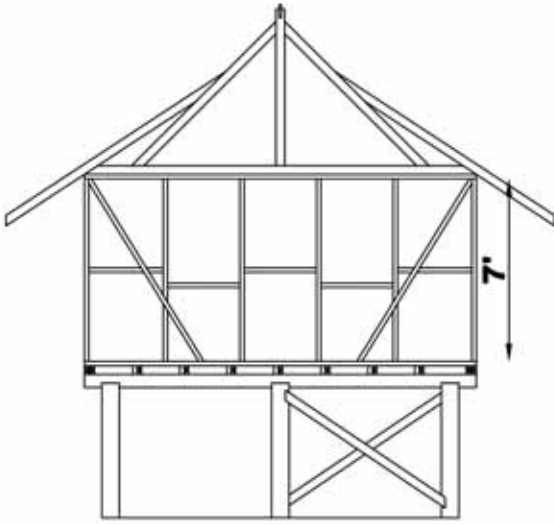
SAGO PALM ROOF TRUSS

(at 5' centres)

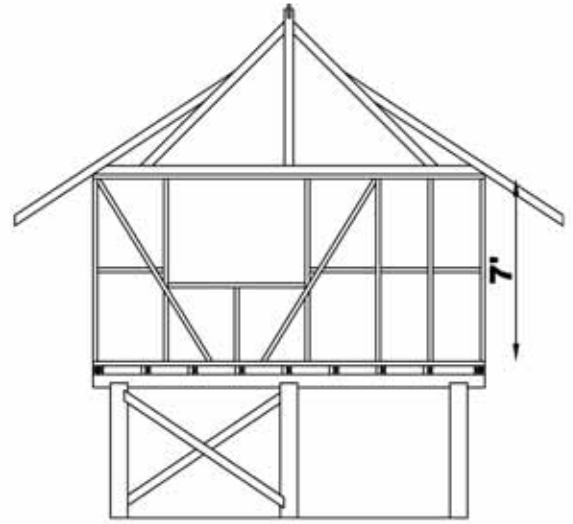


15' x 15' STANDARD SHELTER FOR THE SOLOMON ISLANDS

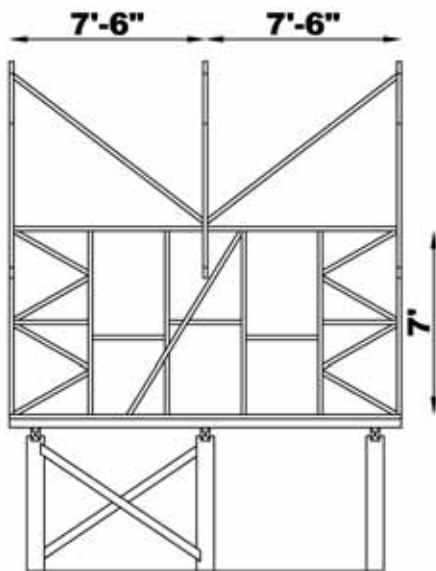
ELEVATION 1



ELEVATION 3



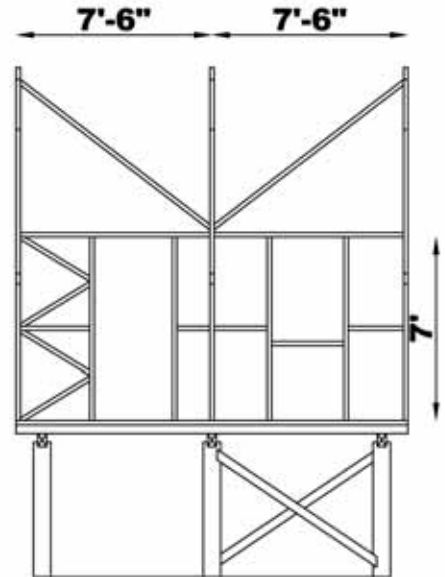
ELEVATION 2



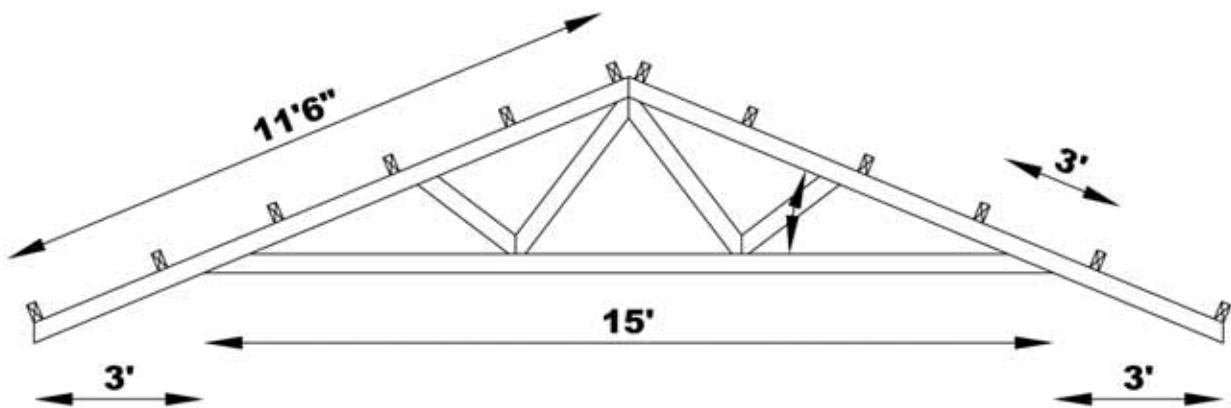
ELEVATION 1



ELEVATION 4



METAL ROOF TRUSS
(minimum pitch 22.5 deg. Half 45 deg.)

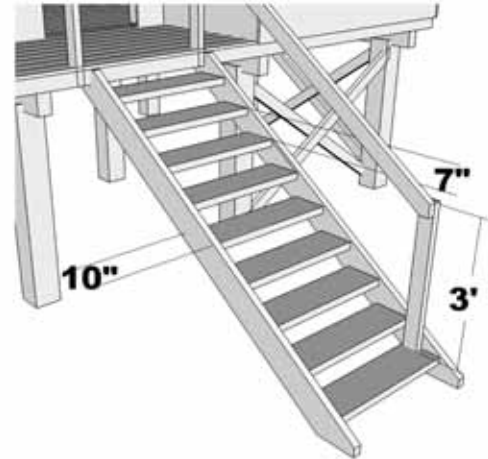


15' x 15' STANDARD SHELTER FOR THE SOLOMON ISLANDS

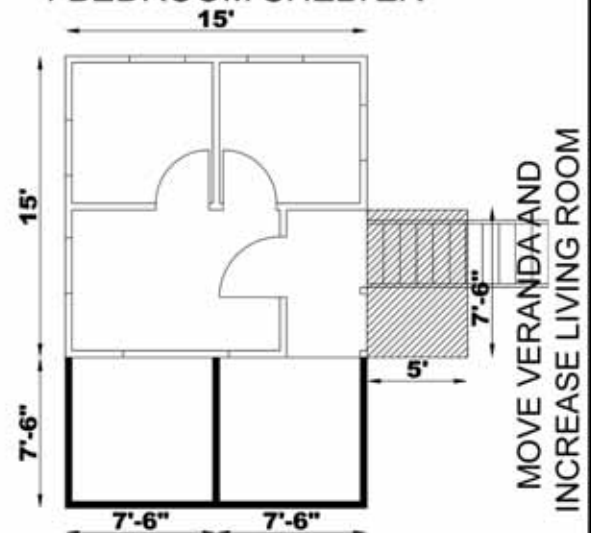
CUTTING LIST /TAKE OFF LIST

FLOOR	ITEM	SIZE	LENGTH	NUMBER
	Post	6"x6" or 8"x8"	8'	9
	Cross Bracing	4"x3" or 4"x4"	8'	8
	Bearer	6"x3" or 6"x4"	15'	3
	Joists	4"x2"	15'	11
	Flooring	6"x1"	7'6"	60
WALLS				
	Studs	4"x2"	7'	30
	Noggings	4"x2"	3'	23
	Cross Bracing	4"x2"	9'	11
SAGO ROOF				
	Rafter	4"x2"	10'5"	6
	Bottom Chord	4"x2"	15'	3
	King Post	4"x2"	6'	3
	Truss Webbing	4"x2"	6'	6
	Cross Bracing	4"x2"	12'	4
	Ridge Board	6"x1"	10'6"	2
	Sago Palm			
METAL ROOF				
	Truss Top Chord*	4"x2"	12'	6
	Truss Bottom Chord	4"x2"	15'	3
	Truss Webbing*	4"x2"	6'	6
	Cross Bracing*	4"x2"	12'	4
	Purlins^	4"x2"	11'	24
	Roofing Iron	3"	12'	20
	* Lengths will alter according to roof pitch.			Pitch
	used: 22.5 Deg. (Half of 45 Deg.)			
	^ Required number of purlins will increase with roof pitch.			
STEPS				
	Beam	8"x2"	12'	2
	Treads	8"x2"	3'	12
	Hand Rail	4"x2"	9'	2
Note: Exact Lengths shown. Add extra length for cutting waste.				

STAIR CONSTRUCTION



FUTURE EXPANSION TO 4 BEDROOM SHELTER



ADD 2 BEDROOMS TO LIVING ROOM

SIMPLE CUTTING LIST

ITEM	SIZE	LENGTH	NUMBER
Post	6"x6" or 8"x8"	10'	9
Bearer	6"x3" or 6"x4"	15'	3
Cross Bracing	4"x3" or 4"x4"	8'	8
Flooring	6"x1"	7'6"	60
Studs /Nogs/Cross			
Bracing/ Balustrade	4"x2"	10'	43
Stair	8"x2"	12'	5
Sago Roof Trusses	4"x2"	15'	18
Sago Roof Ridge Board	6"x1"	10'6"	2
Metal Roof			
Trusses/Purlins	4"x2"	12'	37
Metal Roof Trusses			
Bottom chord	4"x2"	15'	3